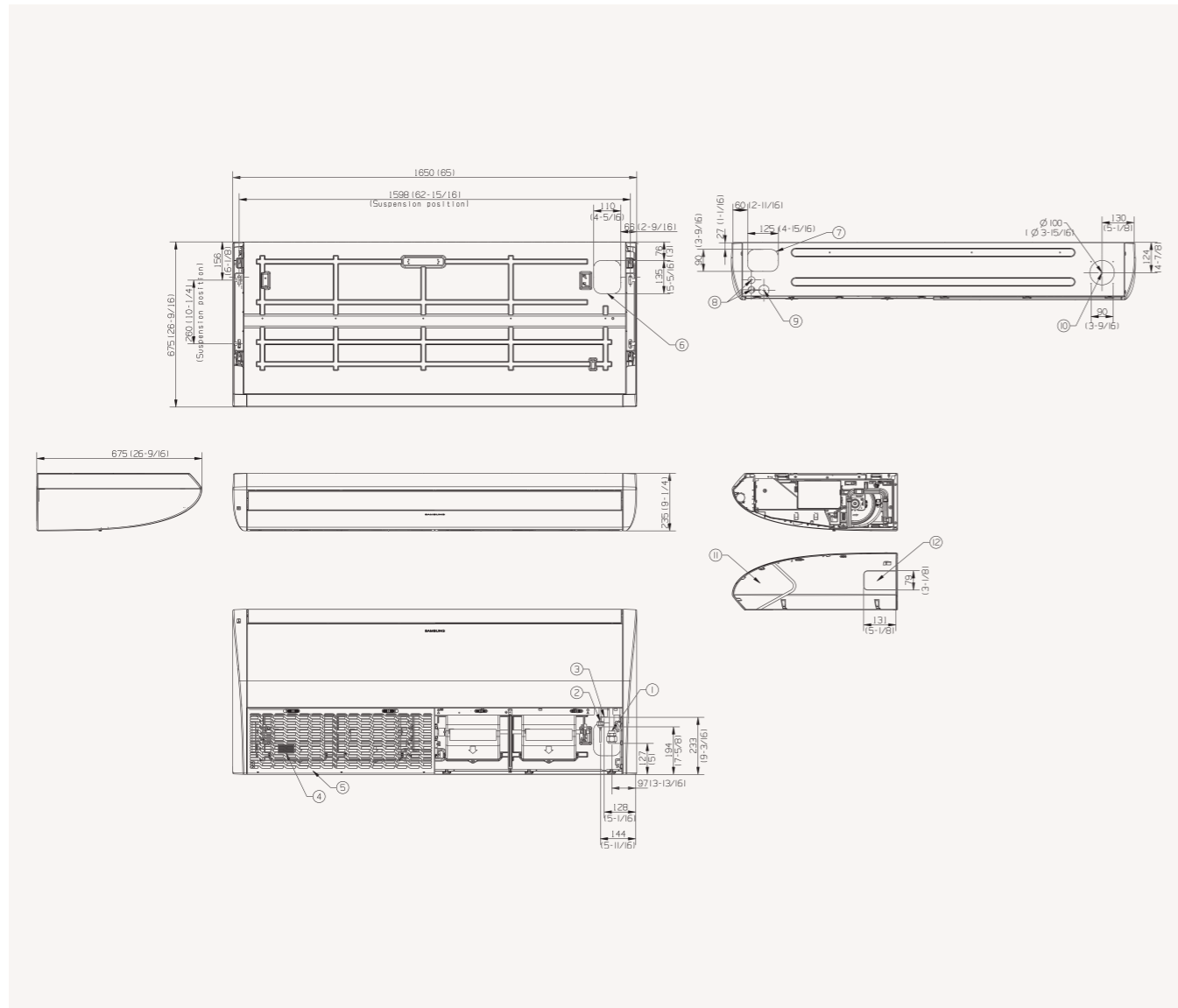


Dimensional drawings

Big Ceiling R32

AC100/120/140*NCDK*/EU / AC160JNCDEH/EU



NO	Name	Description
1	Liquid pipe connection	ø9.52 (3/8)
2	Gas pipe connection	ø15.88 (5/8)
3	Drain pipe connection	VP25 (OD 32, ID 25)
4	Air Filter	
5	Air suction grille	
6	Knock-out hole for piping (upper)	
7	Knock-out hole for piping (rear)	ø28 [1 1/8]
8	Conduit Hole	ø42 [1 5/16]
9	Knock-out hole for drain hose	
10	Fresh air intake knock-out hole	
11	Cover side	
12	Knock-out hole for piping (side)	

